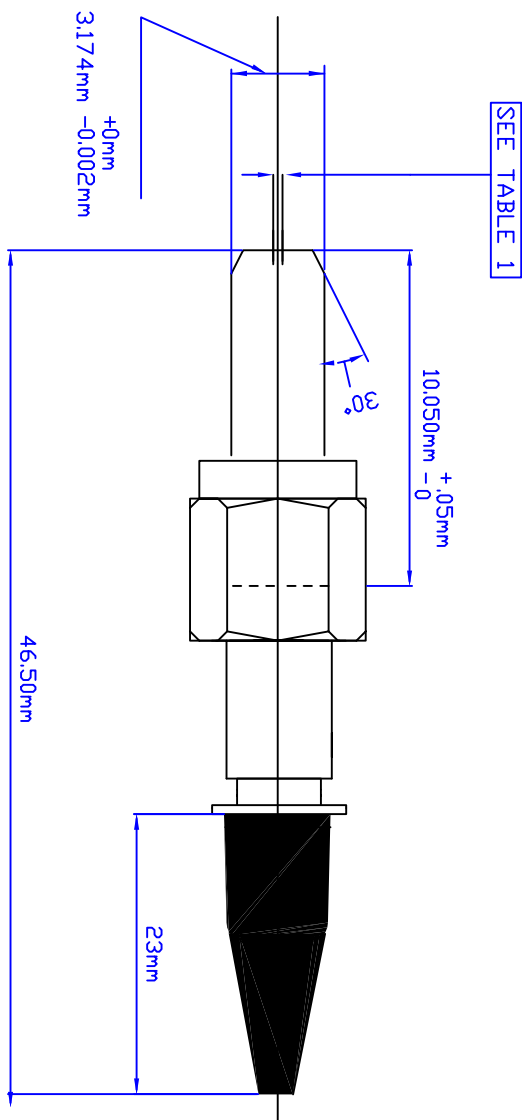


TABLE 1 INSIDE DIAMETER			
-XXXX	I.D.	Min	Max
1250	0.1250	0.1250	0.1260
1255	0.1255	0.1255	0.1265
1260	0.1260	0.1260	0.1270
			Concentricity
			0.001
			0.001
			0.001

Revisions		DESCRIPTION	Date	Approved
REV	00	PRODUCTION RELEASE	2/24/08	RP



Intellectual Property of
 Precession Fiber Products, INC.
 DO NOT duplicate.
 Return copies upon completion

Precision Fiber Products, Inc

SMA 905 SM Ceramic Ferrule

U.D.S.: +/- 0.1mm
 MATL: NICKEL PLATED BRASS

Size: Scale: DWG NO: SM-CDN905CZ-XXXX REV 00
 06/14/2010 Sheet 1 of 1