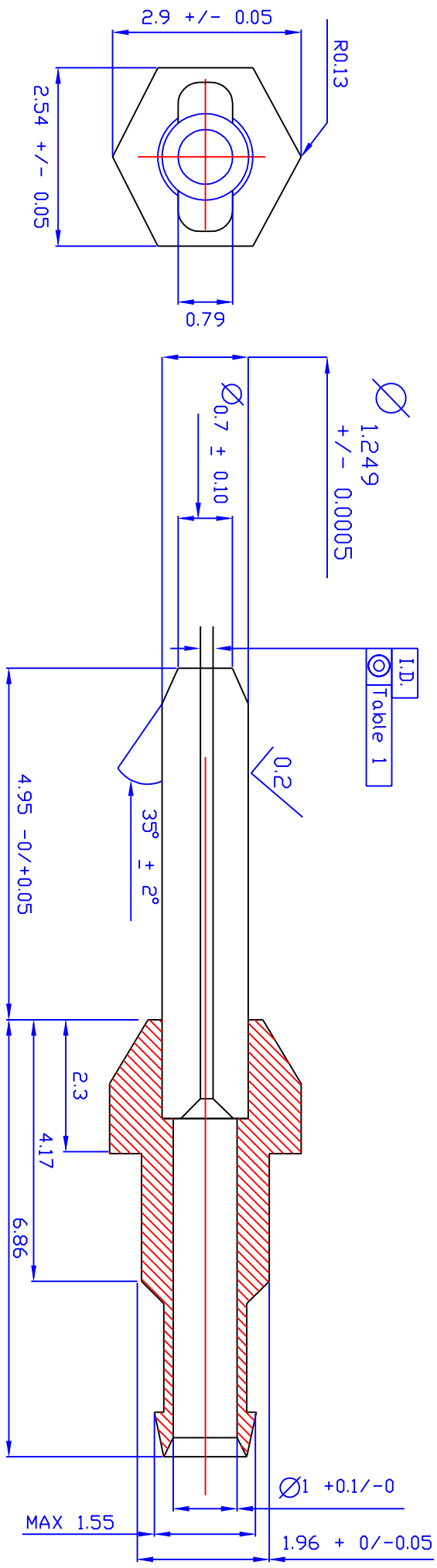


TABLE 1 INSIDE DIAMETER			
-XXXX	I.D.	Min	Max
0800	0.0800	0.0810	0.0830
1250	0.1250	0.1250	0.1260
1255	0.1255	0.1255	0.1265
1260	0.1260	0.1260	0.1270

Revisions			
REV	DESCRIPTION	Date	Approved
00	Production release	07/31/07	RP



NOTE: Flange Material, Nickel Plated Brass

Intellectual Property of Precision Fiber Products, INC. DO NOT duplicate. Return copies upon completion		Precision Fiber Products, Inc	
SM LC Ferrule Assembly		SM LC Ferrule Assembly	
U.D.S. +/- 0.1mm	Size:	DWG NO. SM-FER1010CF-XXXX	REV 00
MATL: Ceramic Zirconia (ZrO2)	Scale:	07/31/2007	Sheet 1 of 1