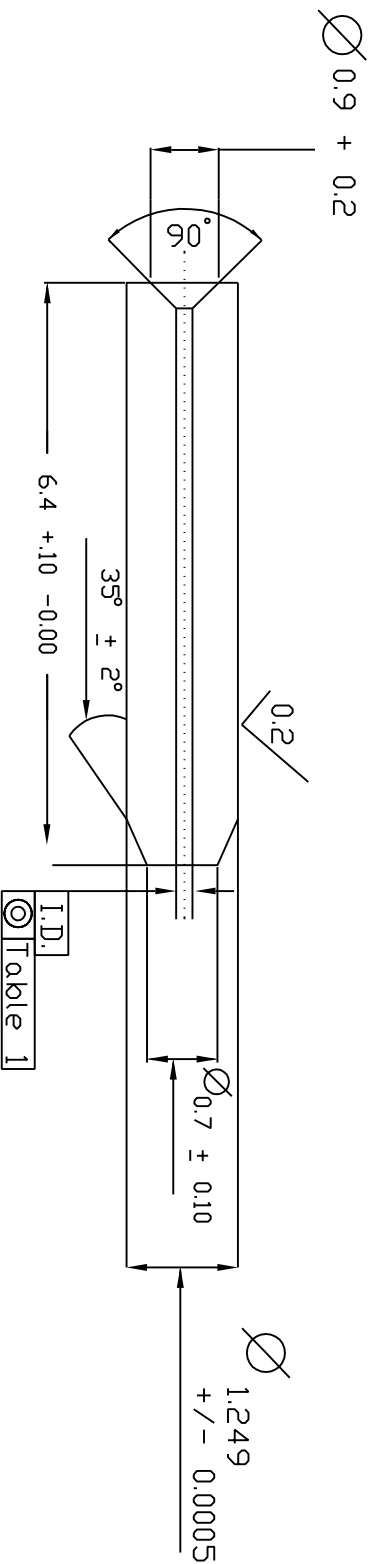


TABLE 1 INSIDE DIAMETER				
-XXXX	I.D.	Min	Max	Concentricity
0800	0.0800	0.0810	0.0830	<0.001
1250	0.1250	0.1250	0.1260	<0.001
1255	0.1255	0.1255	0.1265	<0.001
1260	0.1260	0.1260	0.1270	<0.001

Revisions			
REV	DESCRIPTION	Date	Approved
00	Production release	02/21/04	RP



Intellectual Property of Precision Fiber Products, INC. DO NOT duplicate. Return copies upon completion		Precision Fiber Products, Inc	
U.D.S. +/- 0.1mm		Size:	DWG NO. SM-FER1010C-XXXX REV 00
MATL: Ceramic Zircona (ZrO2)		Scale:	07/31/2007 Sheet 1 of 1
LC Stick Ferrule Drawing			