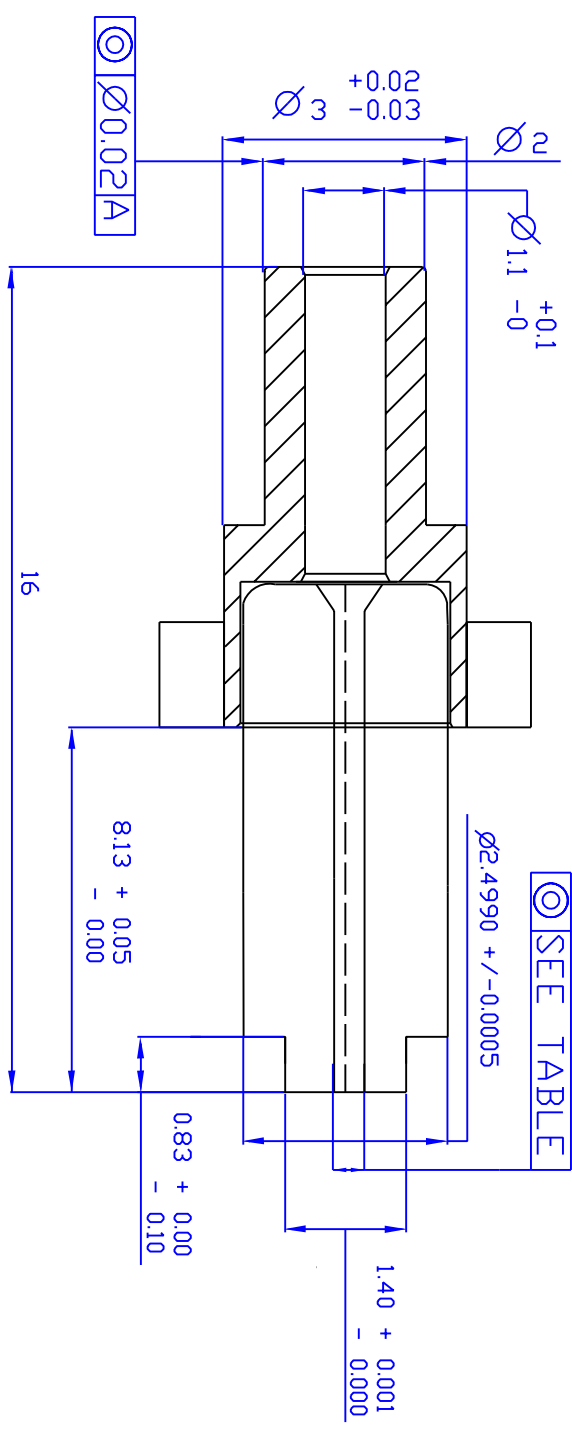
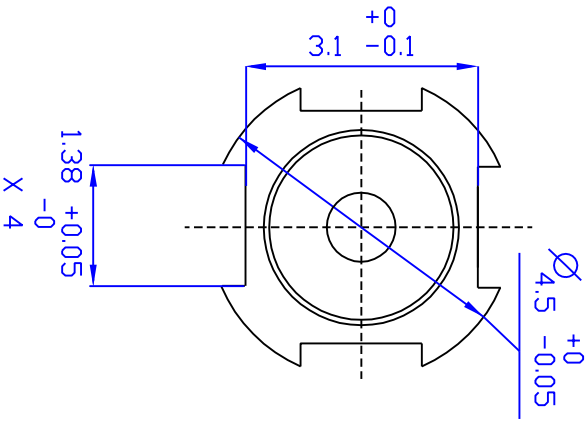


TABLE 1 INSIDE DIAMETER			
-XXXX	I.D.	Min	Max
1250	0.1250	0.1250	0.1260
1255	0.1255	0.1255	0.1265
1260	0.1260	0.1260	0.1270
1270	0.1270	0.1270	0.1280

Revisions			
REV	DESCRIPTION	Date	Approved
00	Initial Release	07/15/10	RP



Intellectual Property of Precision Fiber Products, INC. DO NOT duplicate. Return copies upon completion

U.D.S. +/- 0.1mm
MATERIAL: Ceramic Zirconia (ZrO2)

Precision Fiber Products, Inc
2.5mm APC Step SM Ferrule Assembly
Size: DWG NO. SM-FER1003SS-XXXX REV 00
Scale: 07/15/10 Sheet 1 of 1