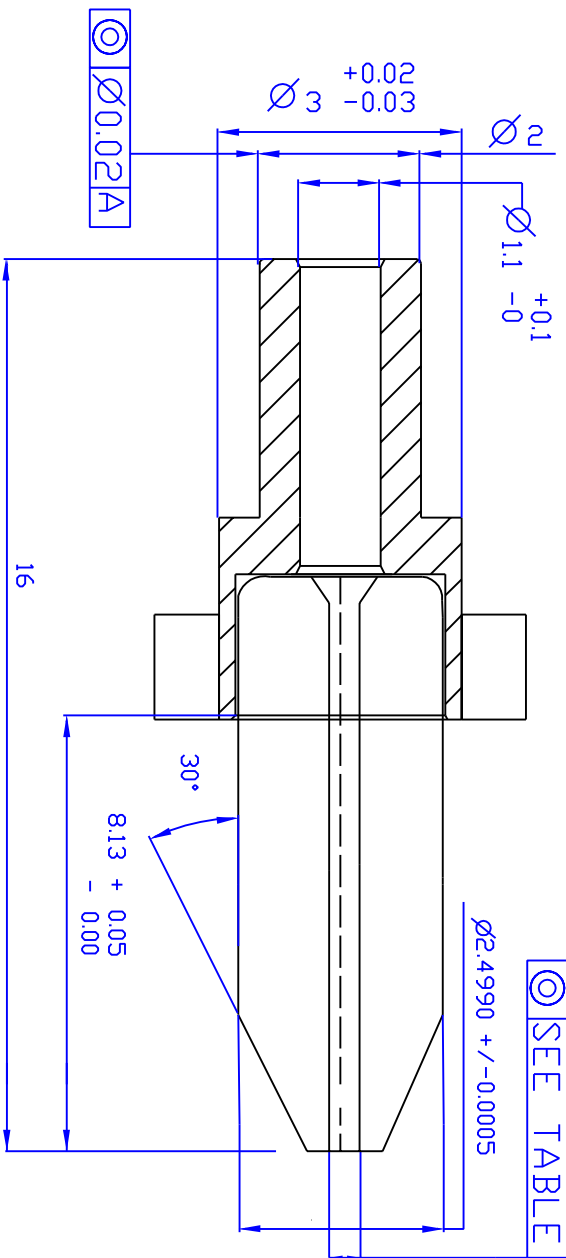
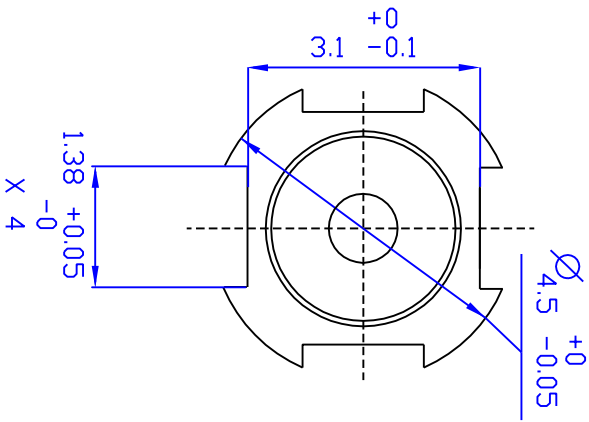


TABLE 1 INSIDE DIAMETER			
-XXXX	I.D.	Min	Max
0800	0.0800	0.0810	0.0830
1250	0.1250	0.1250	0.1260
1255	0.1255	0.1255	0.1265
1260	0.1260	0.1260	0.1270
1270	0.1270	0.1270	0.1280

Revisions			
REV	DESCRIPTION	Date	Approved
00	Initial Release	07/15/10	RP



Intellectual Property of
Precision Fiber Products, INC.
DO NOT duplicate.
Return copies upon completion

U.D.S. +/- 0.1mm
MATERIAL: Ceramic Zirconia (ZrO₂)

Precision Fiber Products, Inc

2.5mm APC Cone SM Ferrule Assembly

Size: DWG NO. SM-FER1003CS-XXXX REV 00

Scale: 07/15/10 Sheet 1 of 1