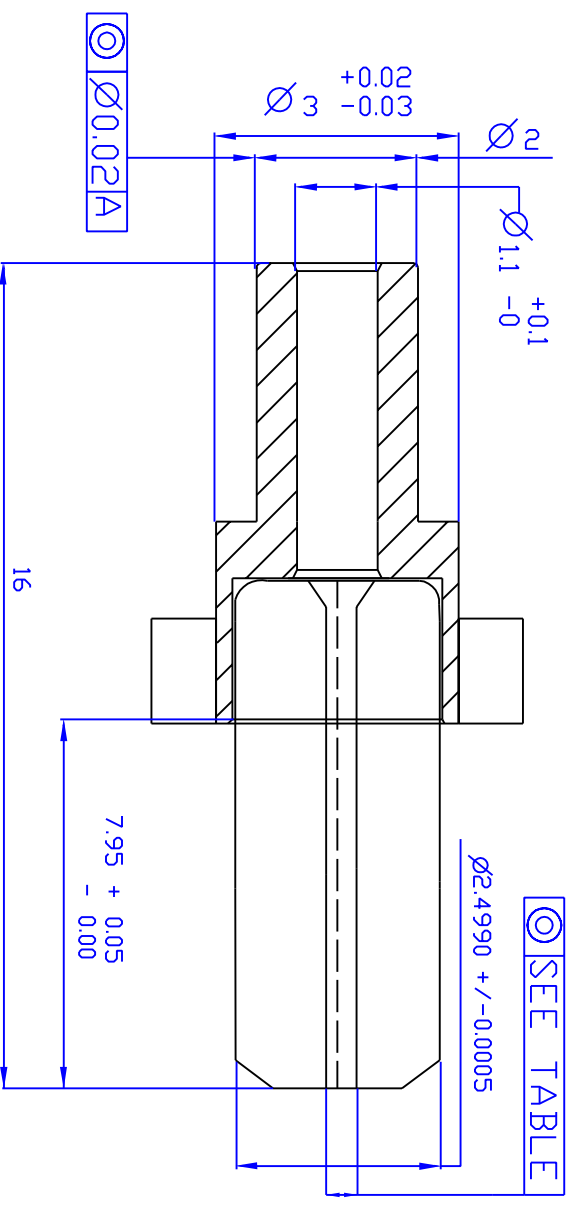
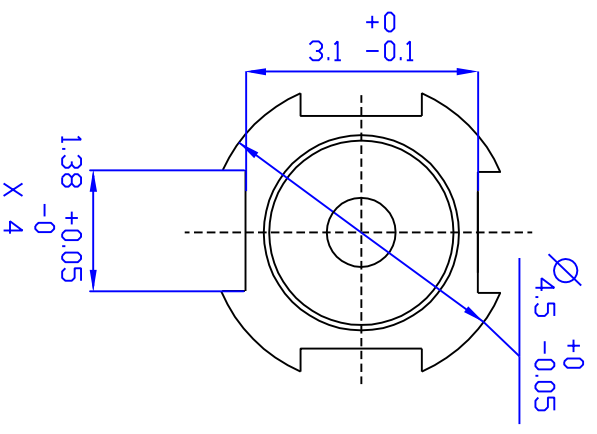


TABLE 1 INSIDE DIAMETER			
-XXXX	I.D.	Min	Max
0800	0.0800	0.0810	0.0830
1250	0.1250	0.1250	0.1260
1255	0.1255	0.1255	0.1265
1260	0.1260	0.1260	0.1270
1270	0.1270	0.1270	0.1280

Revisions			
REV	DESCRIPTION	Date	Approved
00	Initial Release	07/12/10	RP



Intellectual Property of
 Precesion Fiber Products, INC.
 DO NOT duplicate.
 Return copies upon completion

U.D.S. +/- 0.1mm
 MATL: Ceramic Zircona (ZrO2)

Precision Fiber Products, Inc
 2.5mm DD SM Ferrule Assembly
 Size: DWG NO. SM-FER1001S13-XXXX
 Scale: 07/12/10

REV 00
 Sheet 1 of 1