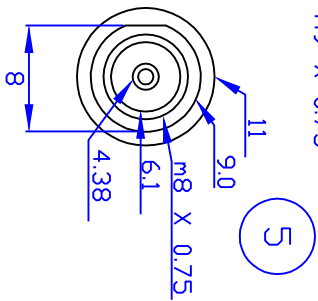
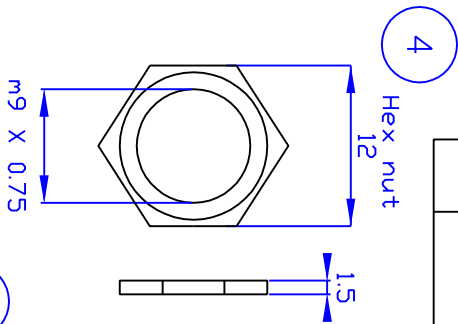
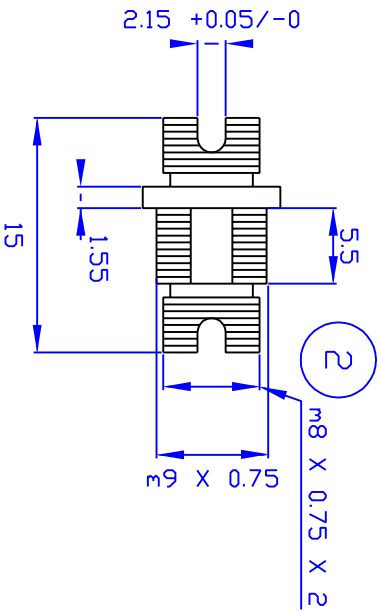
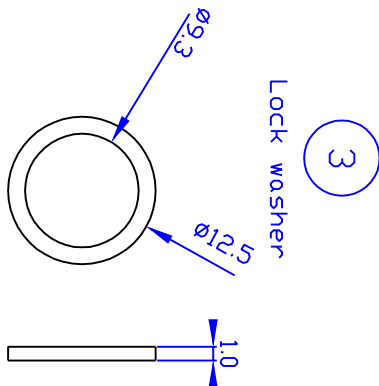
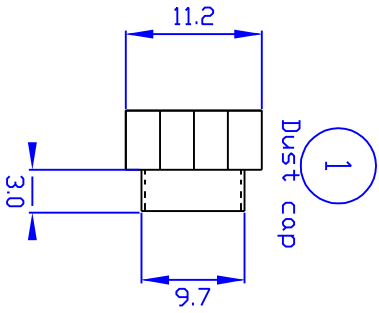
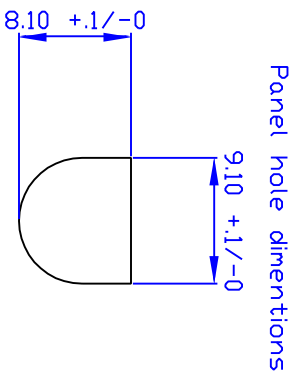


Revisions			
REV	DESCRIPTION	Date	Approved
00	Marketing Drawing	11/12/09	RP



- Notes:
1. White threaded plastic dust cap
 2. Nickel plated brass
 3. Nickel plated brass
 4. Nickel plated brass
 5. Phosphorous Bronze Sleeve

Intellectual Property of Precision Fiber Products, INC. DO NOT duplicate. Return copies upon completion		Precision Fiber Products, Inc FC Adapter Singel D Wide Key	
UD.S. +/- 0.1mm	Scale:	DWG NO. MM-MSL 4005	REV 00
MATL: Nickel Plated Brass		11/12/2009	Sheet 1 of 1