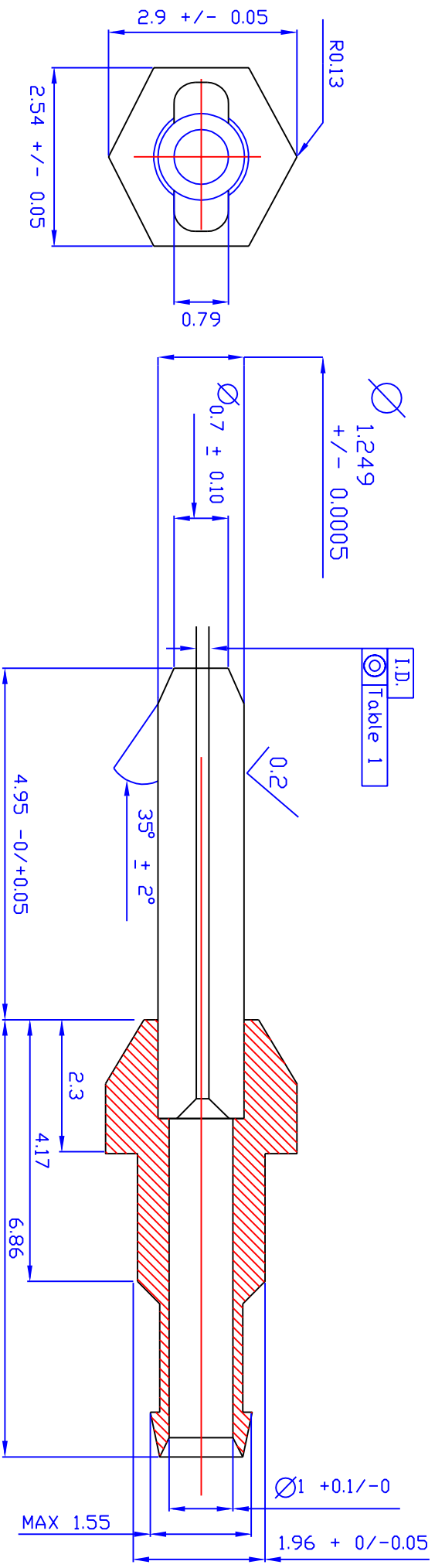


TABLE 1 INSIDE DIAMETER			
-XXXX	I.D.	Min	Max
1260	0.126	0.126	0.129
1270	0.127	0.127	0.130
1400	0.140	0.140	0.145
1440	0.144	0.144	0.149
2000	0.200	0.200	0.205
2300	0.230	0.230	0.235
2500	0.250	0.250	0.255
3000	0.300	0.300	0.305
3300	0.330	0.330	0.335

Revisions			
REV	DESCRIPTION	Date	Approved
00	Production release	07/31/07	RP



NOTE: Flange Material, Nickel Plated Brass

Intellectual Property of
Precision Fiber Products, INC.
DO NOT duplicate.
Return copies upon completion

MM LC Ferrule Assembly

U.D.S. $\pm 0.1mm$

MATL: Ceramic Zirconia (ZrO2)

Size: Scale: DVG ND MM-FER200/CF-XXXX

07/31/2007 Sheet 1 of 1

Precision Fiber Products, Inc

REV 00