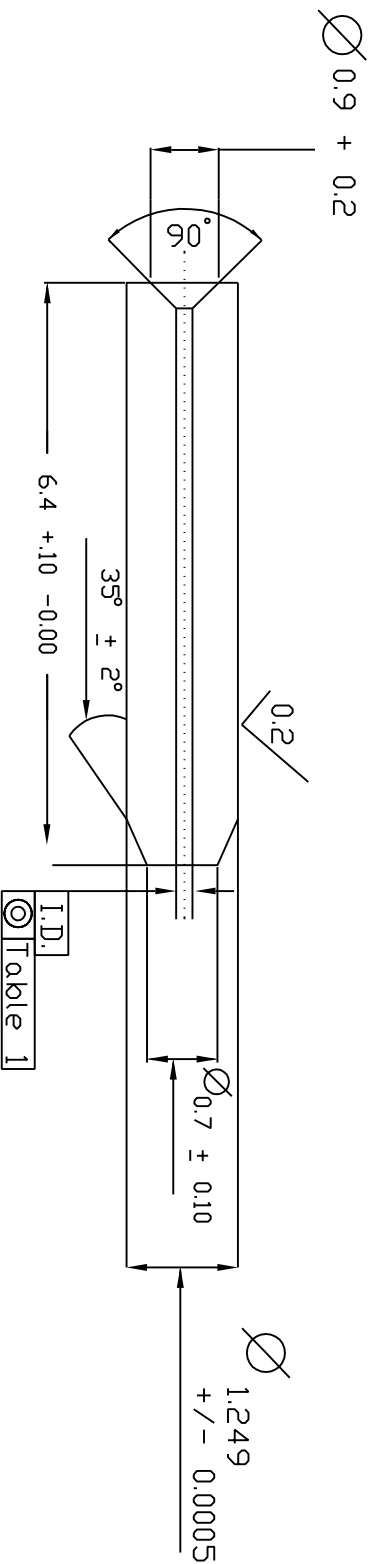


TABLE 1 INSIDE DIAMETER				
-XXXX	I.D.	Min	Max	Concentricity
1260	0.126	0.126	0.129	<0.003
1270	0.127	0.127	0.130	<0.003
1400	0.140	0.140	0.145	<0.005
1440	0.144	0.144	0.149	<0.010
2000	0.200	0.200	0.205	<0.015
2300	0.230	0.230	0.235	<0.020
2500	0.250	0.250	0.255	<0.020
3000	0.300	0.300	0.305	<0.020
3300	0.330	0.330	0.335	<0.020

Revisions			
REV	DESCRIPTION	Date	Approved
00	Production release	02/21/04	RP



Intellectual Property of
 Precision Fiber Products, INC.
 DO NOT duplicate.
 Return copies upon completion

Precision Fiber Products, Inc
MM LC Stick Ferrule

U.D.S. +/- 0.1mm
 MATL: Ceramic Zircona (ZrO2)

Size: Scale: DWG NO. MM-FER2007C-XXXX REV 00
 07/31/2007 Sheet 1 of 1