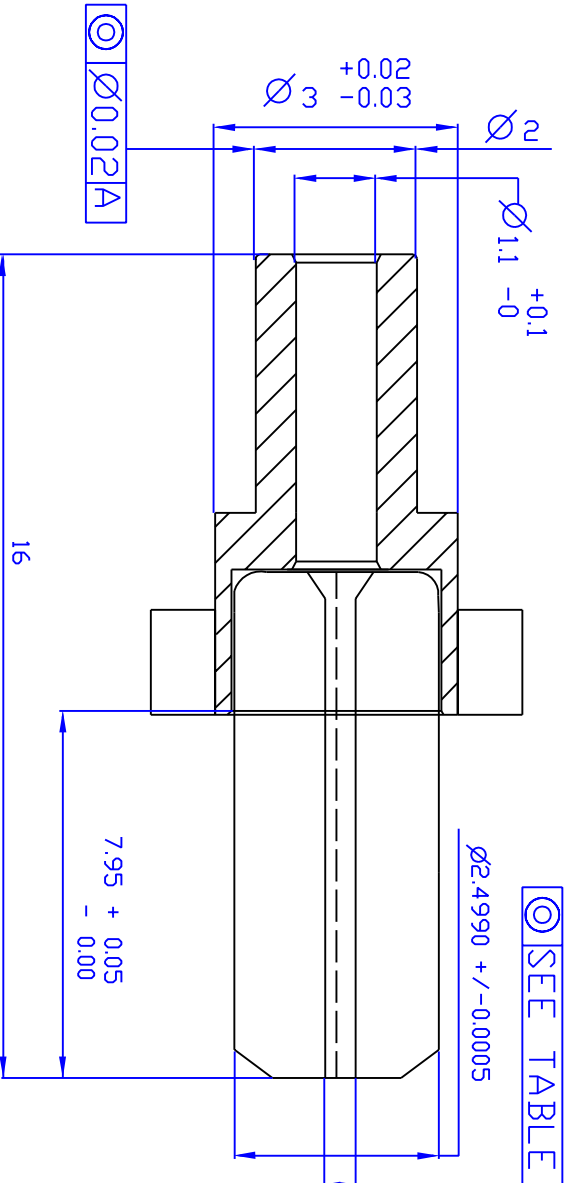
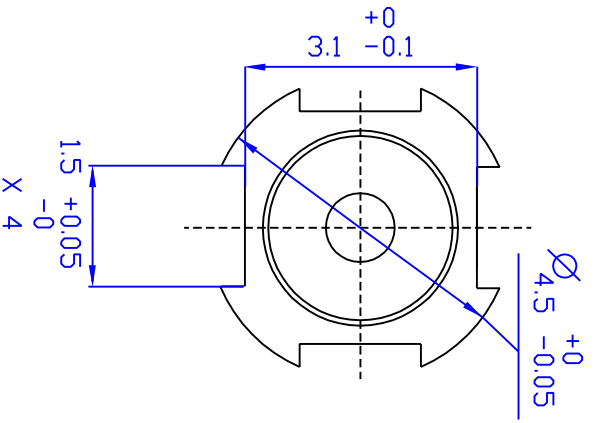


TABLE 1 INSIDE DIAMETER			
-XXXX	I.D.	Min	Max
1260	0.1260	0.1260	0.1290
1270	0.1270	0.1270	0.1300
1400	0.1400	0.1400	0.1450
1440	0.1440	0.1440	0.1490
2000	0.2000	0.2000	0.2050
2300	0.2300	0.2300	0.2350
2450	0.2450	0.2450	0.2500
2500	0.2500	0.2500	0.2550
3000	0.3000	0.3000	0.3050
3300	0.3300	0.3300	0.3350
3500	0.3500	0.3500	0.3550
4000	0.4000	0.4000	0.4050
4300	0.4300	0.4300	0.4350
5000	0.5000	0.5000	0.5010

Revisions			
REV	DESCRIPTION	Date	Approved
00	Initial Release	07/12/10	RP



Intellectual Property of Precision Fiber Products, INC. DO NOT duplicate. Return copies upon completion

U.D.S. +/- 0.1mm

MATL: Ceramic Zirconia (ZrO₂)

Precision Fiber Products, Inc

2.5mm DD MM Ferrule Assembly

Size: DWG NO: MM-FER2002S15-XXXX REV 00

Scale: 07/12/10 Sheet 1 of 1