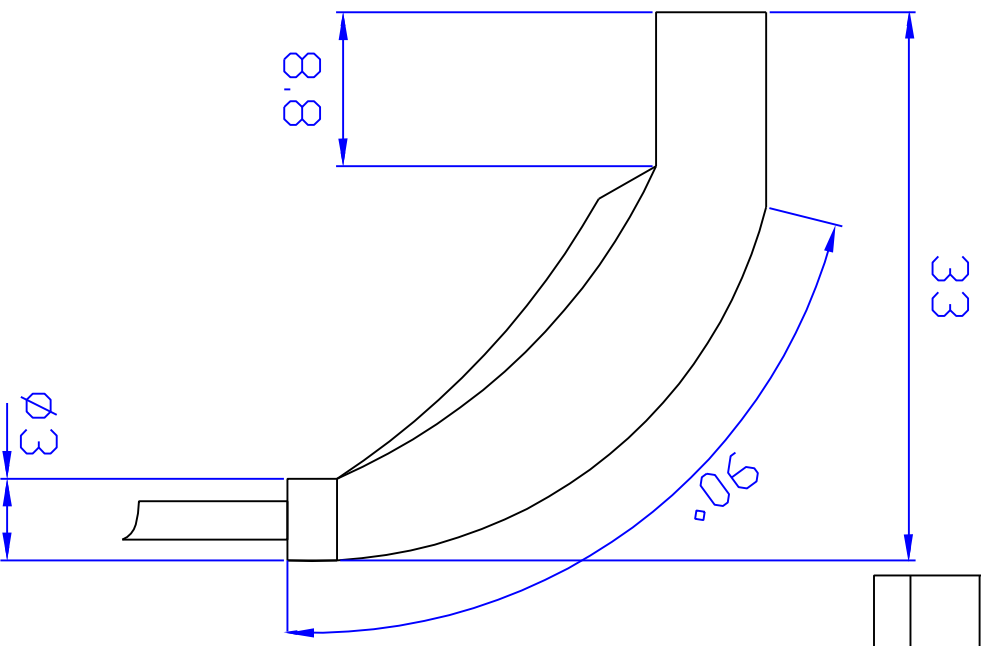
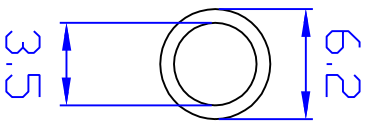
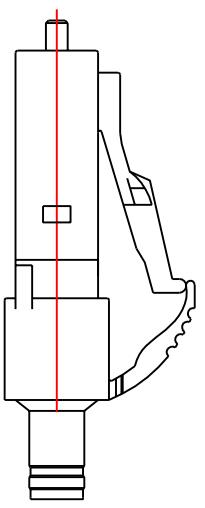


Revisions			
REV	DESCRIPTION	Date	Approved
00	Initial Release		RP



Intellectual Property of Precession Fiber Products, INC. DO NOT duplicate. Return copies upon completion		Precision Fiber Products, Inc LC 90 deg Boot	
U.D.S. +/- 0.1mm MATL: TPU	Size: Scale:	DWG NO. BOT-3LC-90XXX 1/12/07	REV 00 Sheet 1 of 1