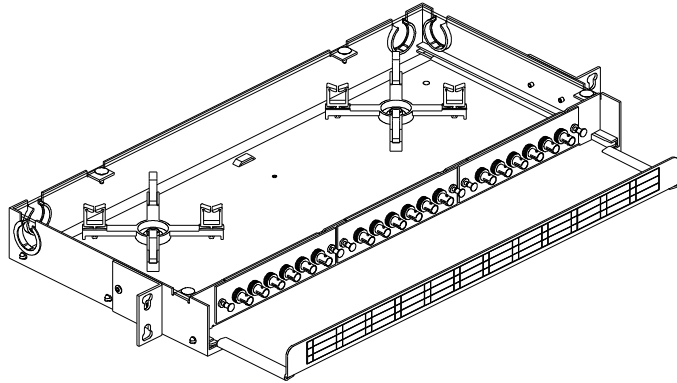


Rack-Mount Fiber Optic Distribution Unit

PFP-1961

18 - 24 Port Bay Mount



Application

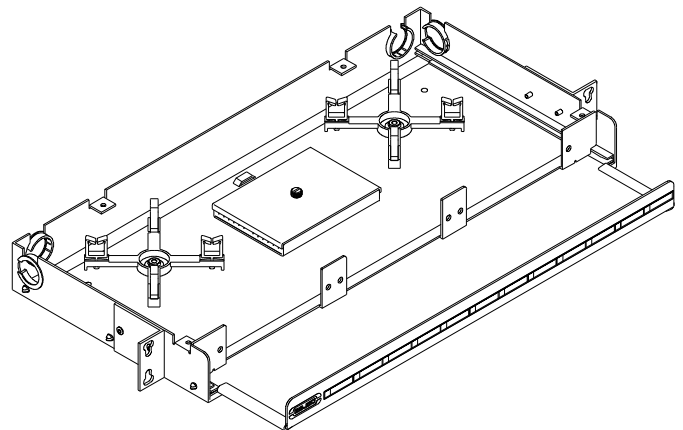
Provides for fiber cross-connection and splicing in a Single UI. Ideal for small Central Office or POP fiber cross connects. Clear lid and open front provide for economy and ease of use.

Specifications

Capacity:	Three Plates
Dimensions:	1.75"H (1 UI) x 17"W x 11"D
Weight:	3 lbs.
Construction:	Aluminum
Color:	Off-White

Features

- Terminates 24 fibers with 8 port coupler plates
- 19 inch rack mount, 23" mountable with PFP-2005 adapters
- Pullout tray protects fiber terminations
- Room for fiber storage and splicing
- Open front access to coupler plates
- Clear polycarbonate cover
- Low profile



Ordering Information

Part Number	Plates	Access	Additional Information
PFP-1961G	3 Plates	Pull Out Tray	Open Front, Clear Cover