

PFP
SC Attenuator
(Fixed, Plug Type)

TECHNICAL SPECIFICATIONS

‘02-07-10

Table of Contents

Section	Page
1. PROVISION	3
1.1 Application Limit	3
2. ORDER INFORMATION	3
3. GENERAL SPECIFICATIONS	4
3.1 Parts and Materials	4
3.2 Physical Dimensions	4
3.3 General Tolerances	4
4. OPTICAL PERFORMANCE	5
5. SHIPPING INSPECTION	6
6. PACKING	6

Table

1. Table 1	Ordering Information	3
2. Table 2	Parts and Materials	4
3. Table 3	General Tolerance(JIS B 0405 class m)	4
4. Table 4	Specifications and measurement conditions	5

Figure

1. Figure 1	Insertion Loss and Measurement system	5
2. Figure 2	Return Loss and Measurement system	6
3. Figure 3	SC/PC Attenuator (Fixed, Plug Type)	7
4. Figure 4	SC/APC Attenuator (Fixed, Plug Type)	7

1. PROVISION

1.1 Application Limit

These specifications apply to the SC series Attenuator (Fixed, Plug Type)

2. ORDERING INFORMATION

Order information of the SC Attenuator (Fixed, Plug type) in Table 1

Table 1: Ordering Information

SC Attenuator:

MM-ATN05MF-XX-XX-XX

MM-ATN05MF-XX = Core Type

50 = Multi Mode(50/125)

62 = Multi Mode(62.5/125)

MM-ATN05MF-XX-XX = Wavelength

85 = 850nm

13 = 1310nm

MM-ATN05MF-XX-XX-XX = Attenuation

01-30dB 01=1dB 30=30dB

3. GENERAL SPECIFICATIONS

3.1 Parts and Materials

Parts and the materials are shown in Table 2.

Table 2: Parts and Materials

No.	Parts Name	Q'ty	Material	Notes
1	SC Cap	1	PE	
2	Frame	1	PBT GF 20%	
3	Housing	1	Zn DC	
4	Stopper	1	SUS	
5	Holder	1	PBT	
6	Cap	1	ABS	
7	Ferrule	1	Zirconia ceramic	
8	Split sleeve	1	Zirconia ceramic /Copper alloy	

3.2 Physical Dimensions

Figure 3 shows the assembled state of SC Attenuator (Fixed, Plug type)

3.3 General Tolerances

Permissible deviation in dimensions without tolerance indication is in accordance with JIS B 0405 class m, as shown in Table 3

Table 3 General Tolerance (JIS B 0405 class m)

Basic size step (mm)		Permissible deviation (mm)
Over	Under	
0.5	3	±0 .1
3	6	±0 .1
6	30	±0 .2
30	120	±0 .3

4. OPTICAL PERFORMANCE

Specifications and measurement conditions are shown In Table 4.

Figures 1 shows the measurement system.

Table 4 Specifications and measurement conditions

Characteristics	Conditions	*Values
Insertion loss	Light source : LD Wave Length : 1310nm1550nm Master cord terminated : UPC polish (APC Adapter : APC Polish) Multimode source: LED Wavelength: 850nm or1300,1310nm	1~10dB:A.V \pm 0.5dB 10~15dB:A.V \pm 1.0dB 15~30dB:A.V \pm 1.5dB
Return loss	Ditto	SPC : > 40dB UPC : > 55dB APC : > 65dB
Attenuation Flatness	\pm 0.25dB for <5dB \pm 0.3dB for >5dB 1250-1620nm	
PDL	1550nm	< 0.2dB
Application	Metal Doped fiber (Attenuation fiber)	
Durability	500 mating	Δ 0.2dB or less
Temperature cycling	-40°C~75°C (42cycles)	Δ 0.2dB or less
Vibration	1~55Hz (2Hr)	Δ 0.2dB or less
Impact	1.5m drop, 8cycles	Δ 0.2dB or less

*A.V : Attenuation Value

In case of multimode : \pm 1.0dB at all range.

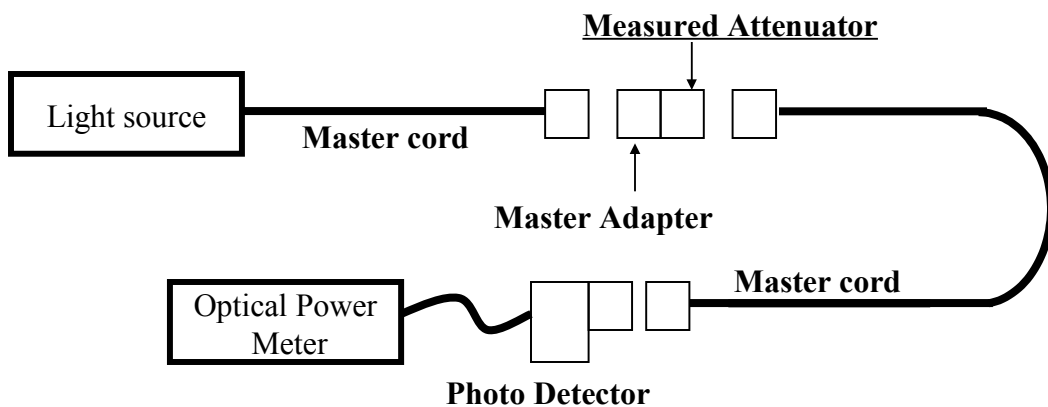


Figure 1 Insertion Loss and Measurement system

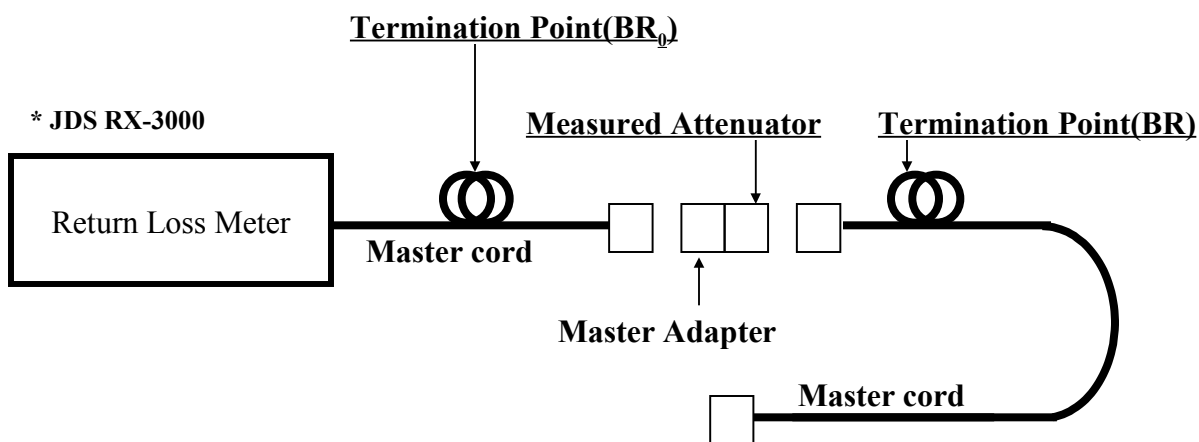


Figure 2 Return Loss and Measurement system

5. SHIPPING INSPECTION

Insertion loss for SC Attenuators (Fixed, Plug) are inspected before shipping and the inspection results are enclosed.

6. PACKING

The product is packed to prevent damage during shipment.

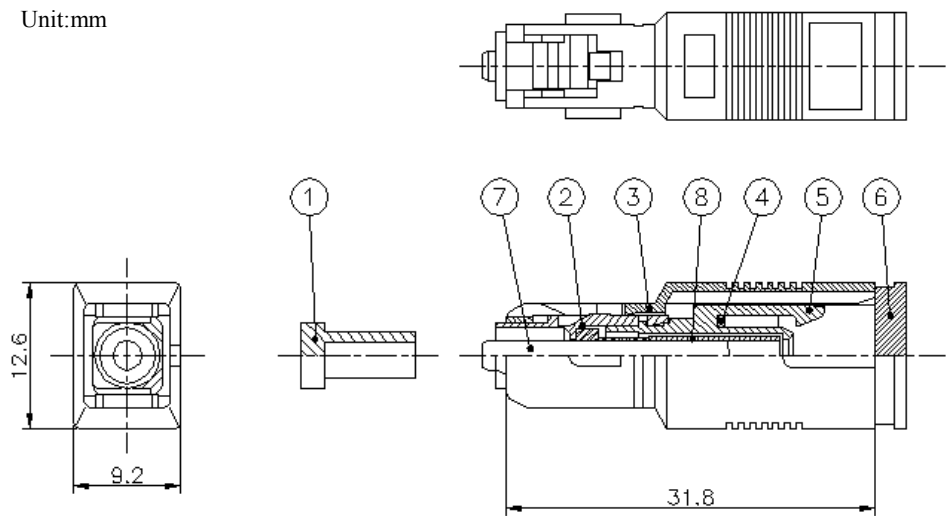


Figure 3 SC/PC Attenuator (Fixed, Plug Type)

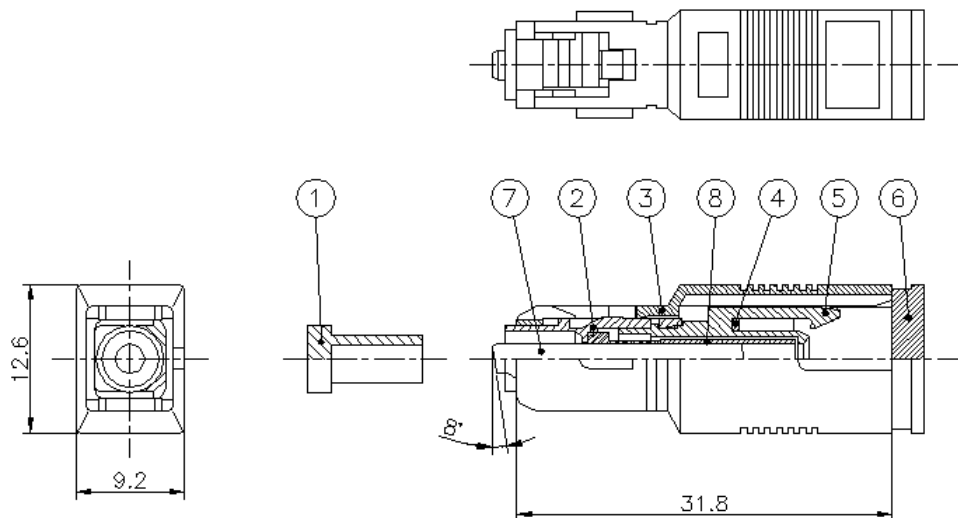


Figure 4 SC/APC Attenuator (Fixed, Plug Type)