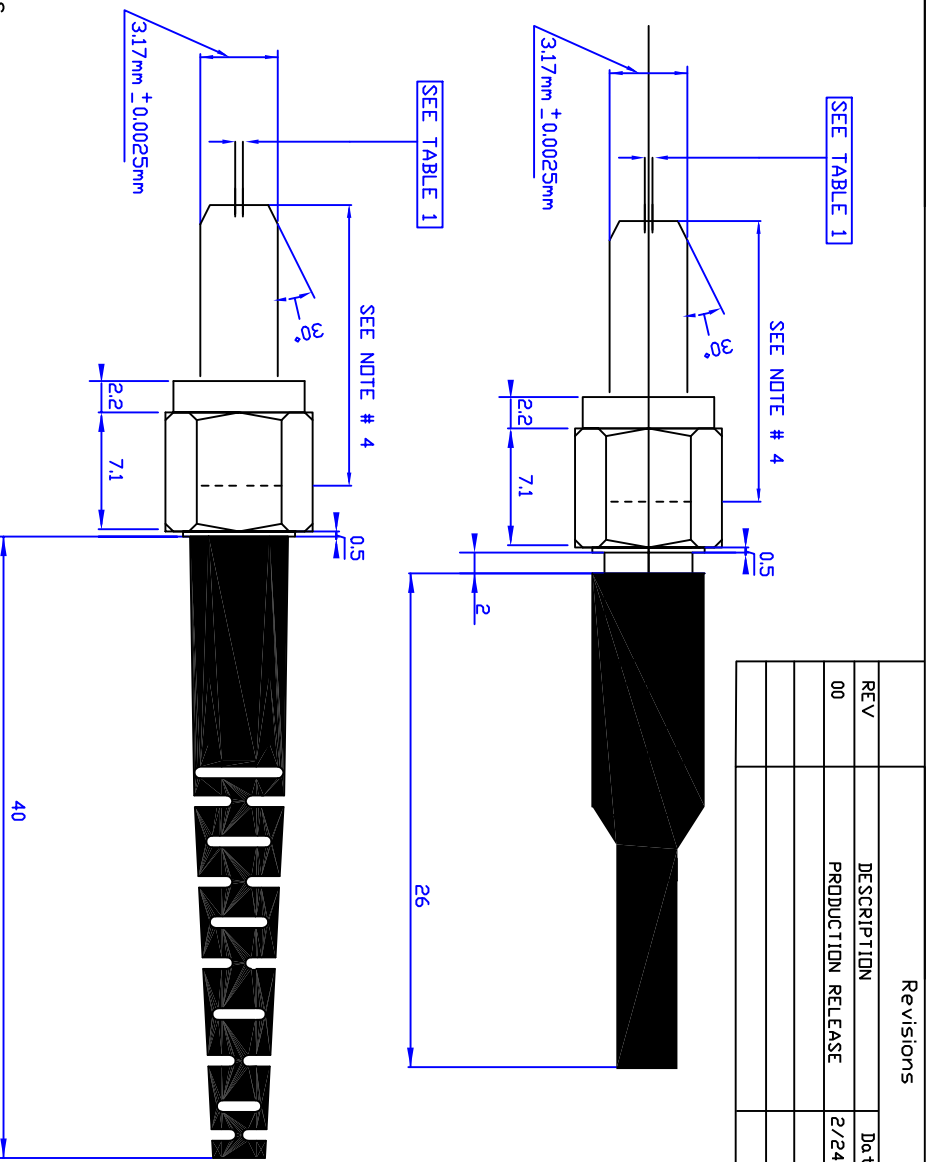


-XXX	I.D.	Min	Max	Concentricity
1260	0.1260	0.1260	0.1290	0.003
1270	0.1270	0.1270	0.1300	0.003
1400	0.1400	0.1400	0.1450	0.010
1440	0.1440	0.1440	0.1490	0.010
2000	0.2000	0.2000	0.2050	0.015
2300	0.2300	0.2300	0.2350	0.015
2450	0.2450	0.2450	0.2500	0.020
2500	0.2500	0.2500	0.2550	0.020
3000	0.3000	0.3000	0.3050	0.020
3500	0.3500	0.3500	0.3550	0.020
4000	0.4000	0.4000	0.4050	0.020
5000	0.5000	0.5000	0.5010	0.020



- NOTES:
1. Body and Nut material: nickle plated brass
 2. Ferrule material: Ceramic (ZrO2)
 3. Boot material: PVC
 4. Ferrule length (protrusion): 10.00mm -0/+0.05 or Can be specified by customer (XX.XXmm -0/+0.05)

Revisions			
REV	DESCRIPTION	Date	Approved
00	PRODUCTION RELEASE	2/24/08	RP

Intellectual Property of
Precision Fiber Products, Inc.
DO NOT duplicate.
Return copies upon completion

UQS: +/- 0.1mm
MATL: SEE NOTES

Precision Fiber Products, Inc
SMA 905 Stainless Ferrule w/Hex Nut

Size: SCALe: DWG NO. MM-C0N905HC2-XXX REV 00
8/29/11 Sheet 1 of 1