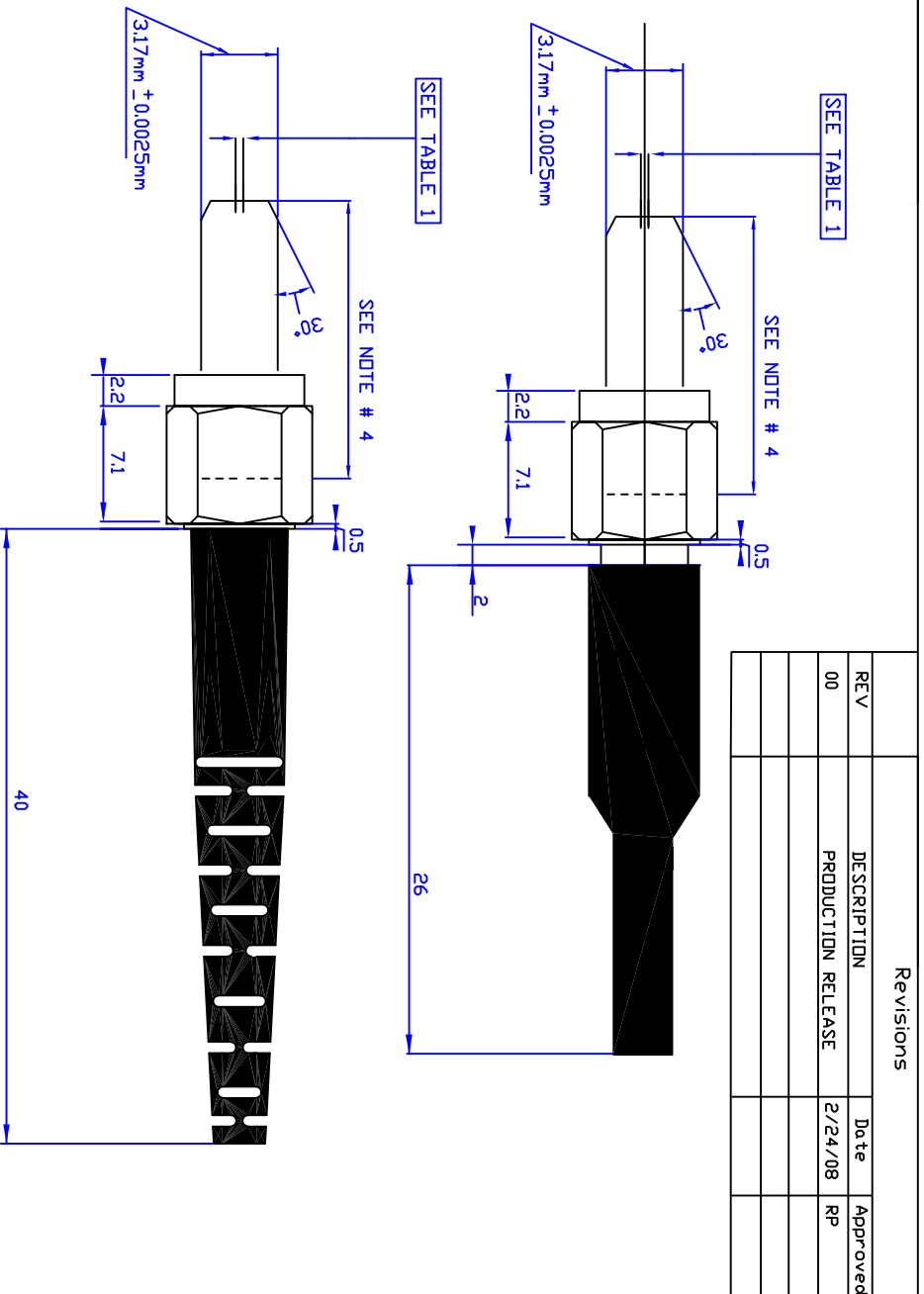


TABLE 1 INSIDE DIAMETER				
-XXX	I.D.	Min	Max	Concentricity
125	0.125	0.125	0.135	.005
200	0.200	0.200	0.210	.020
220	0.220	0.220	0.230	.020
250	0.250	0.250	0.260	.020
300	0.300	0.300	0.310	.020
400	0.400	0.400	0.410	.020
450	0.450	0.450	0.460	.020
500	0.500	0.500	0.510	.020
550	0.550	0.550	0.560	.020
600	0.600	0.600	0.610	.020
650	0.650	0.650	0.660	.020
700	0.700	0.700	0.710	.020
750	0.750	0.750	0.760	.020
800	0.800	0.800	0.810	.020
850	0.850	0.850	0.860	.020
900	0.900	0.900	0.910	.020
950	0.950	0.950	0.960	.020
1,000	1.000	1.000	1.010	.020

NOTES:

1. Body and Nut material: nickle plated brass
2. Ferrule material: 303 stainless
3. Boot material: PVC
4. Ferrule length (protrusion): 10.00mm -0/+0.05 or Can be specified by customer (XX.XXmm -0/+0.05)



Intellectual Property of Precision Fiber Products, Inc. DO NOT duplicate. Return copies upon completion		Precision Fiber Products, Inc SMA 905 Stainless Ferrule w/Hex Nut	
UDS: +/- 0.1mm	Scale:	DWG NO. MH-C0N905H-XXX	REV 00
MATL: SEE NOTES	Scale:	8/29/11	Sheet 1 of 1