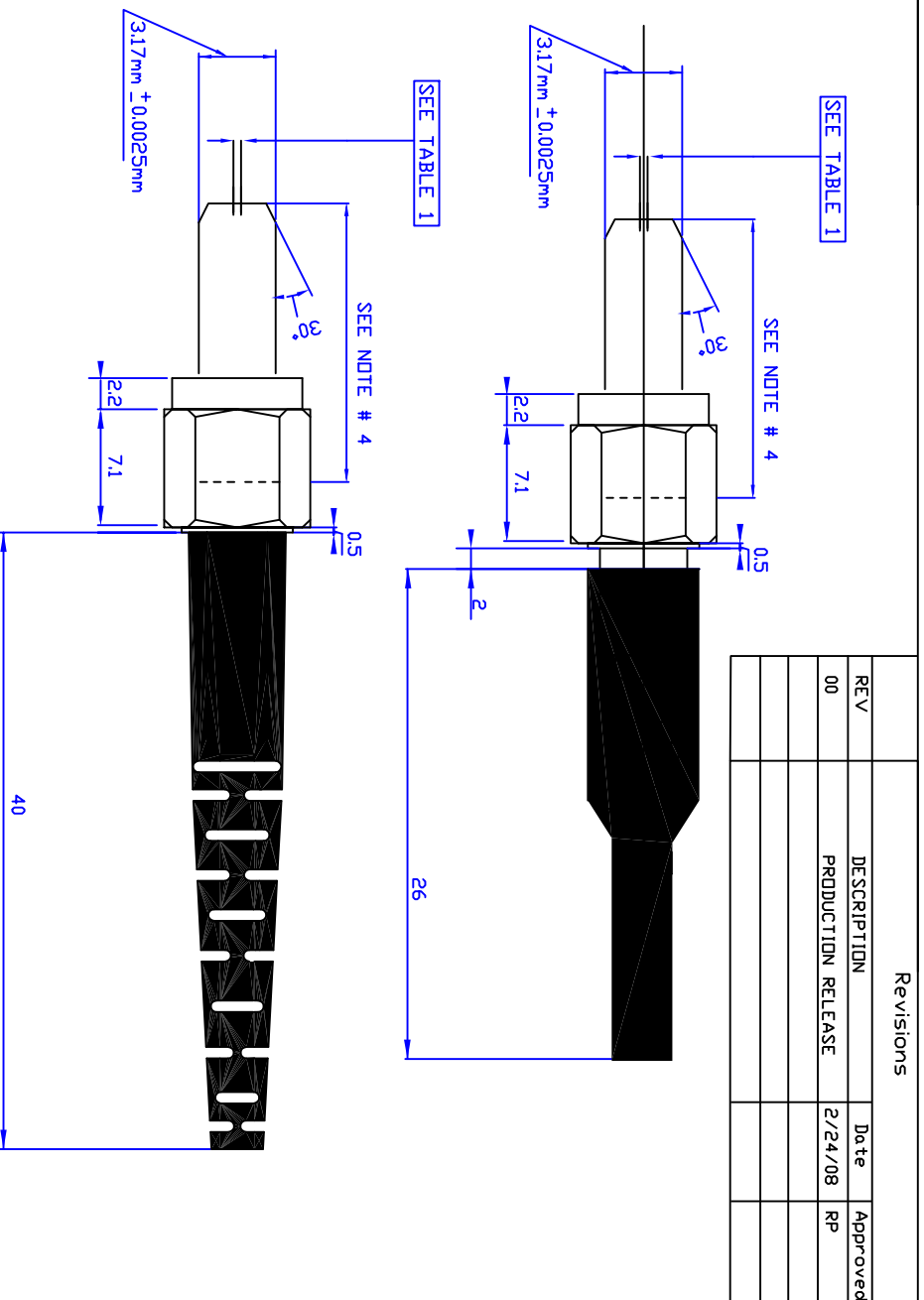


TABLE 1 INSIDE DIAMETER				
-XXX	I.D.	Min	Max	Concentricity
125	0.125	0.125	0.135	.005
200	0.200	0.200	0.210	.020
220	0.220	0.220	0.230	.020
250	0.250	0.250	0.260	.020
300	0.300	0.300	0.310	.020
400	0.400	0.400	0.410	.020
450	0.450	0.450	0.460	.020
500	0.500	0.500	0.510	.020
550	0.550	0.550	0.560	.020
600	0.600	0.600	0.610	.020
650	0.650	0.650	0.660	.020
700	0.700	0.700	0.710	.020
750	0.750	0.750	0.760	.020
800	0.800	0.800	0.810	.020
850	0.850	0.850	0.860	.020
900	0.900	0.900	0.910	.020
950	0.950	0.950	0.960	.020
1,000	1.000	1.000	1.010	.020

NOTES:

1. Body and Nut material: 303 stainless
2. Ferrule material: 303 stainless
3. Boot material: PVC
4. Ferrule length (protusion): 10.00mm -0/+0.05 or
Can be specified by customer (XX.XXmm -0/+0.05)



Revisions			
REV	DESCRIPTION	Date	Approved
00	PRODUCTION RELEASE	2/24/08	RP

Intellectual Property of
Precision Fiber Products, Inc.
DO NOT duplicate.
Return copies upon completion

Precision Fiber Products, Inc
SMA 905 Stainless Ferrule w/Hex Nut

UDS: +/- 0.1mm
MATEL: SEE NOTES

Size: SCAL: DWG NO. MH-C0N905H-SS-XXX | REV 00
8/29/11 Sheet 1 of 1