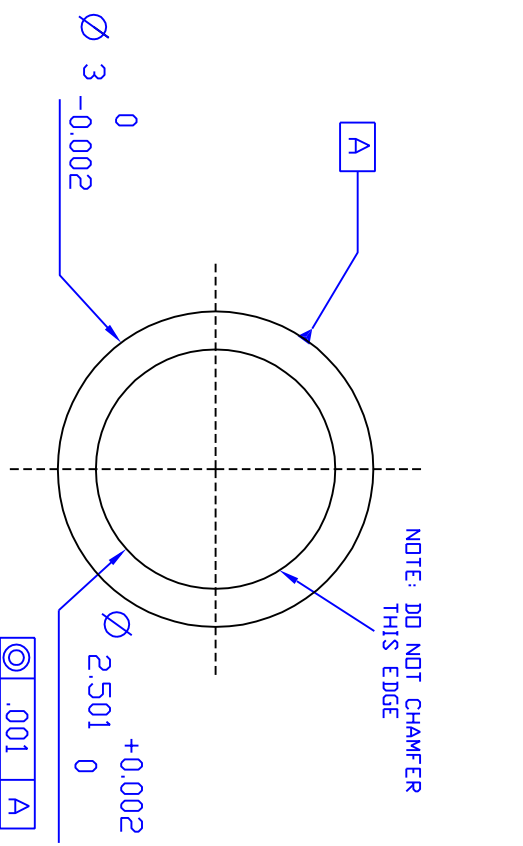


TABLE 1 Sleeve Length	
XXXX	Length
1000	10.00mm
1150	11.50mm

Revisions			
REV	DESCRIPTION	Date	Approved
00	Initial Release	04/23/08	RP



- NOTES:
1. Sleeve length: Can be specified by customer
 2. See Table 1 for Standard lengths available

Intellectual Property of Precision Fiber Products, INC. DO NOT duplicate. Return copies upon completion		Precision Fiber Products, Inc	
UD.S. +/- 0.1mm		Ceramic Solid Sleeve, 2.5mm ID	
MATERIAL: Ceramic Zirconia (ZrO2)		Size:	DWG NO. SM-CSXXXXT
		Scale:	04/23/08
			REV 00
			Sheet 1 of 1